

IH 2055/2090/2013

Spare parts

Ersatzteile

Pièces détachées

Reserve onderdelen

Repuestos

Reservdelar

Replaces

Ersetzt

Remplace

Vervangt

Reemplaza

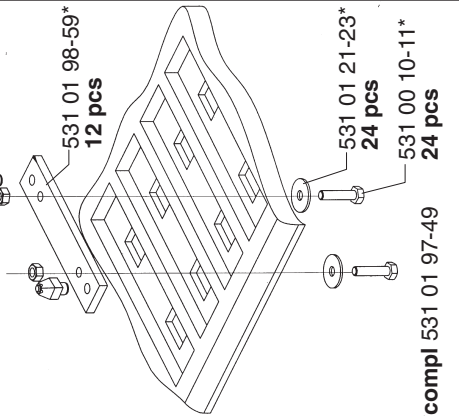
106 25 14-69

Ersätter

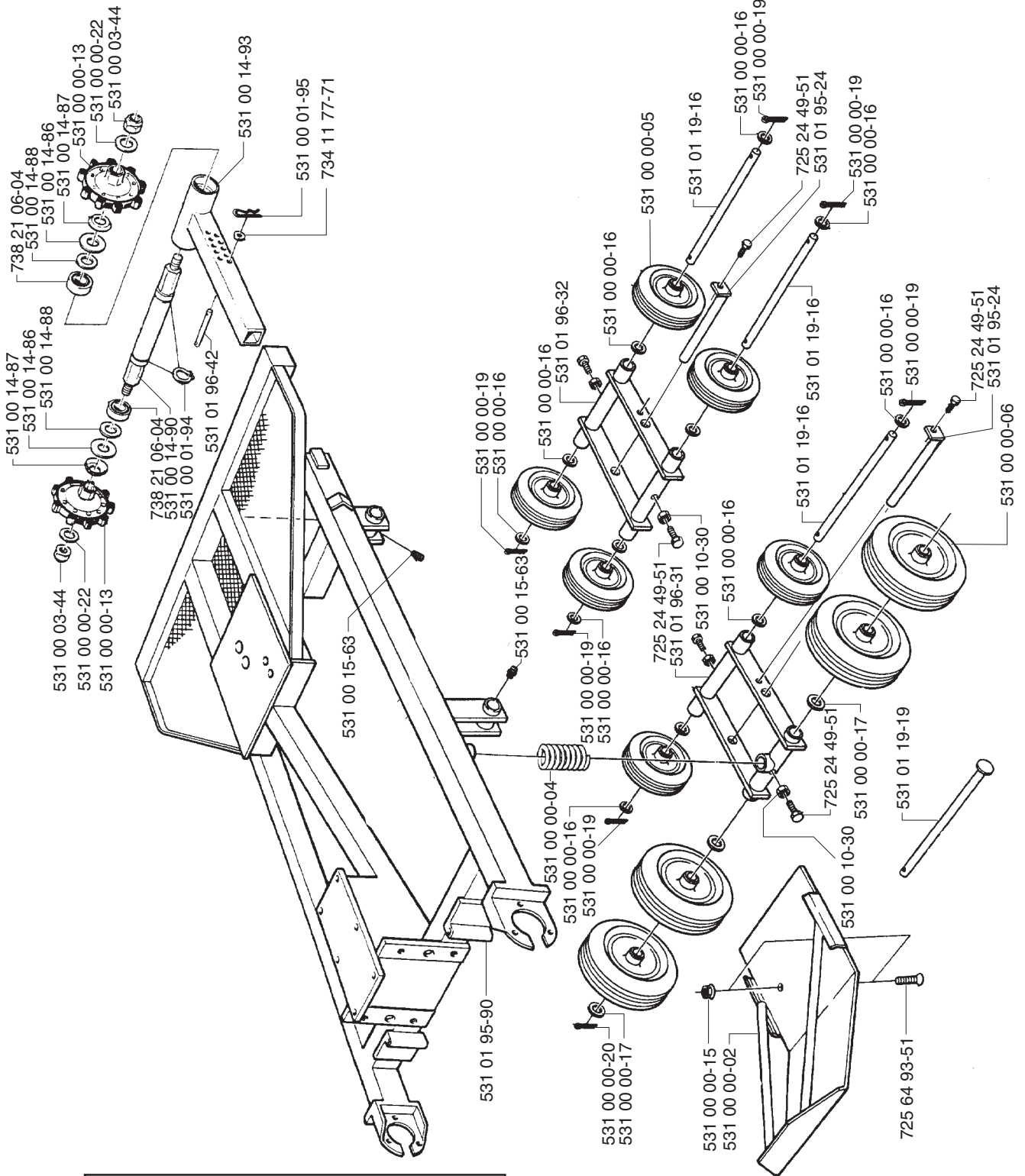
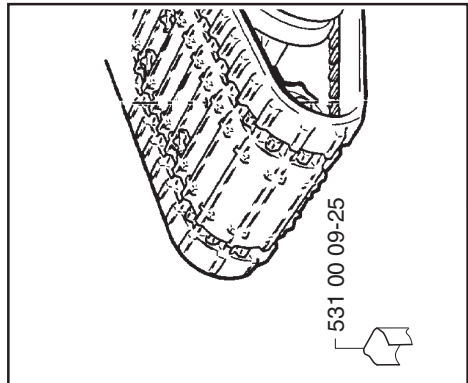
106 25 14-68, 106 25 14-68-1

A

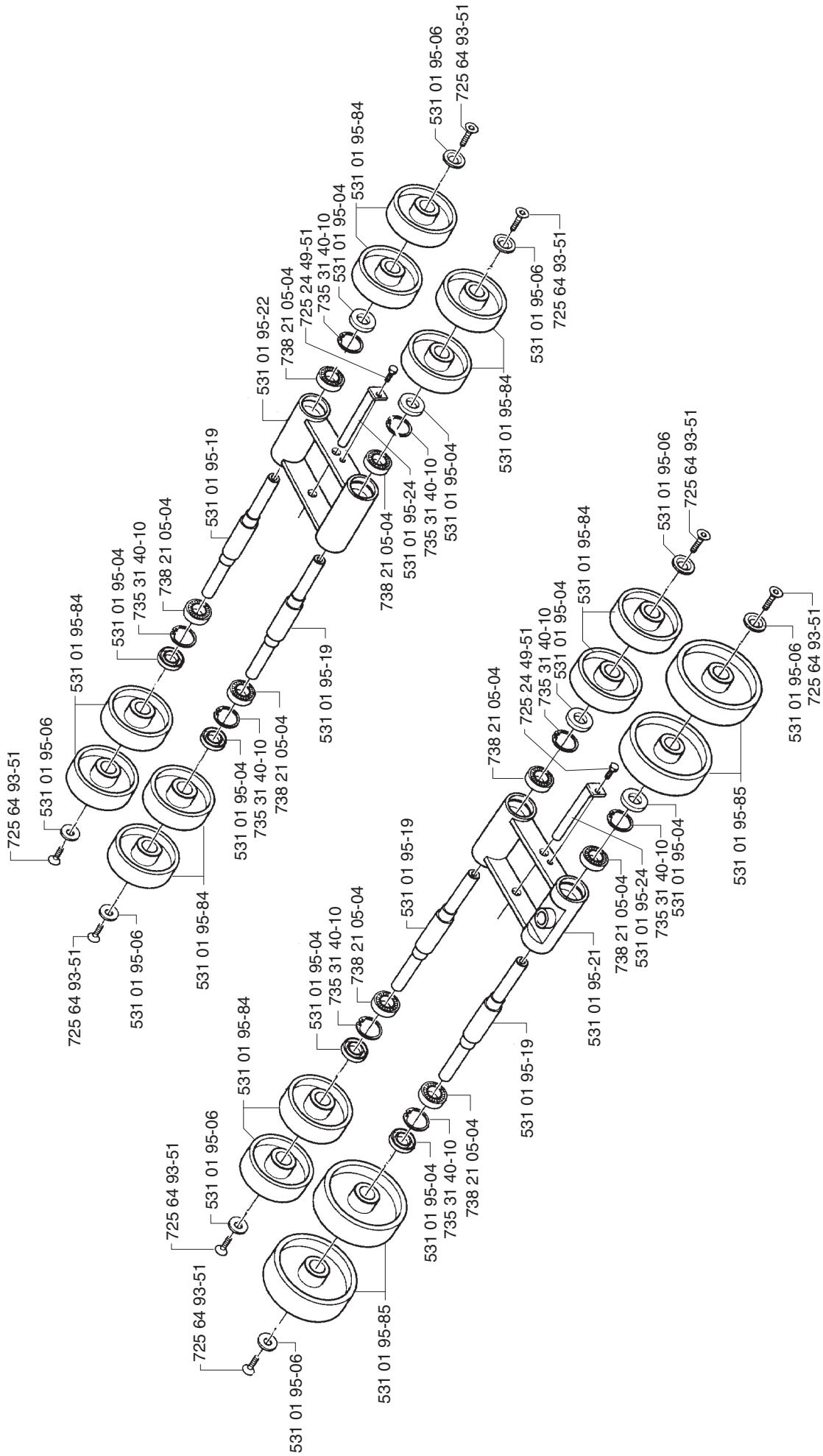
24 pcs *531 01 98-34
24 pcs *732 25 16-01



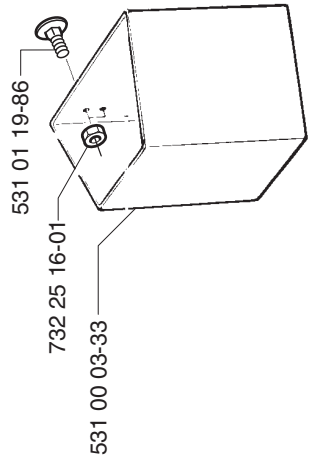
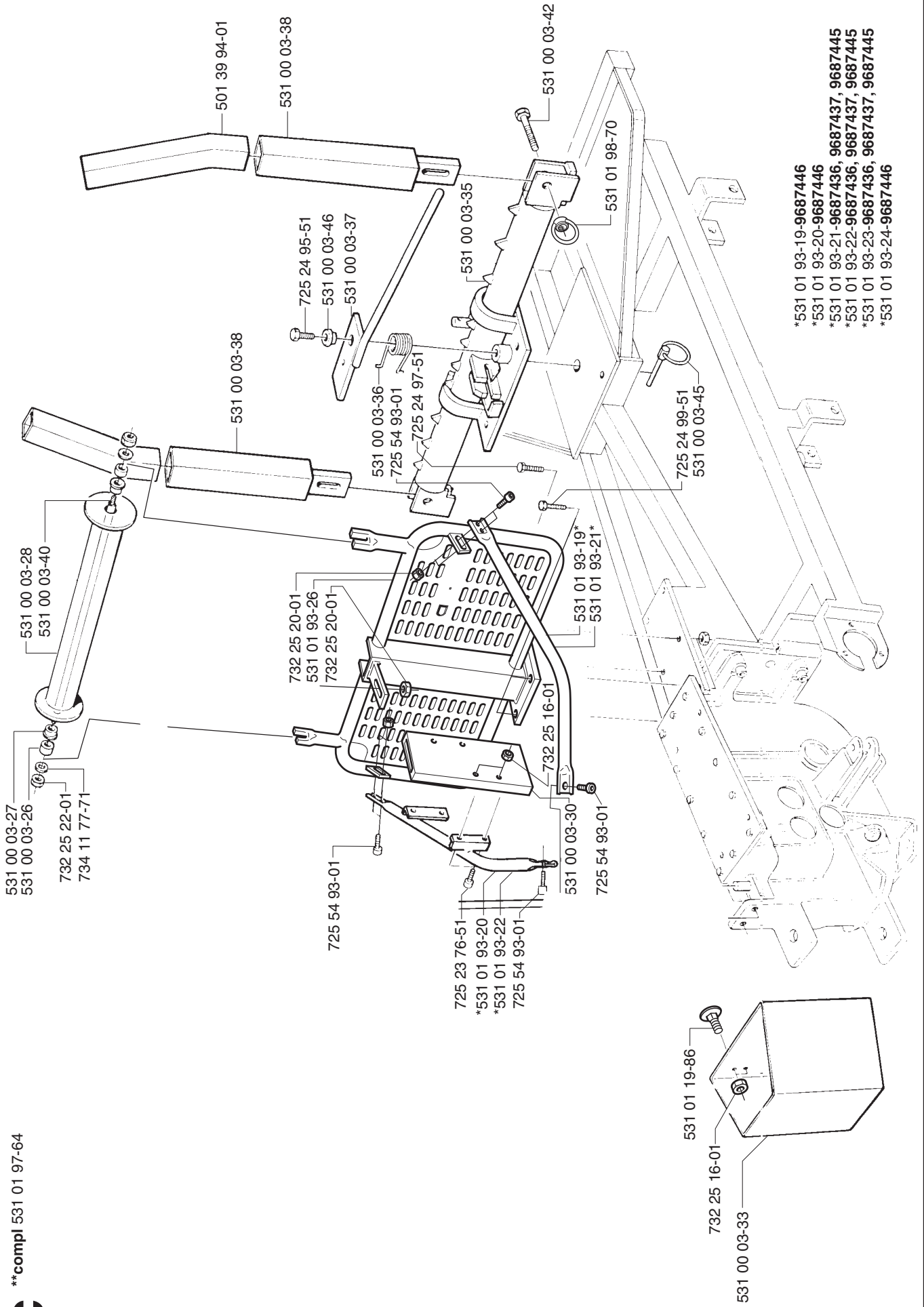
compl 501 39 79-03



B

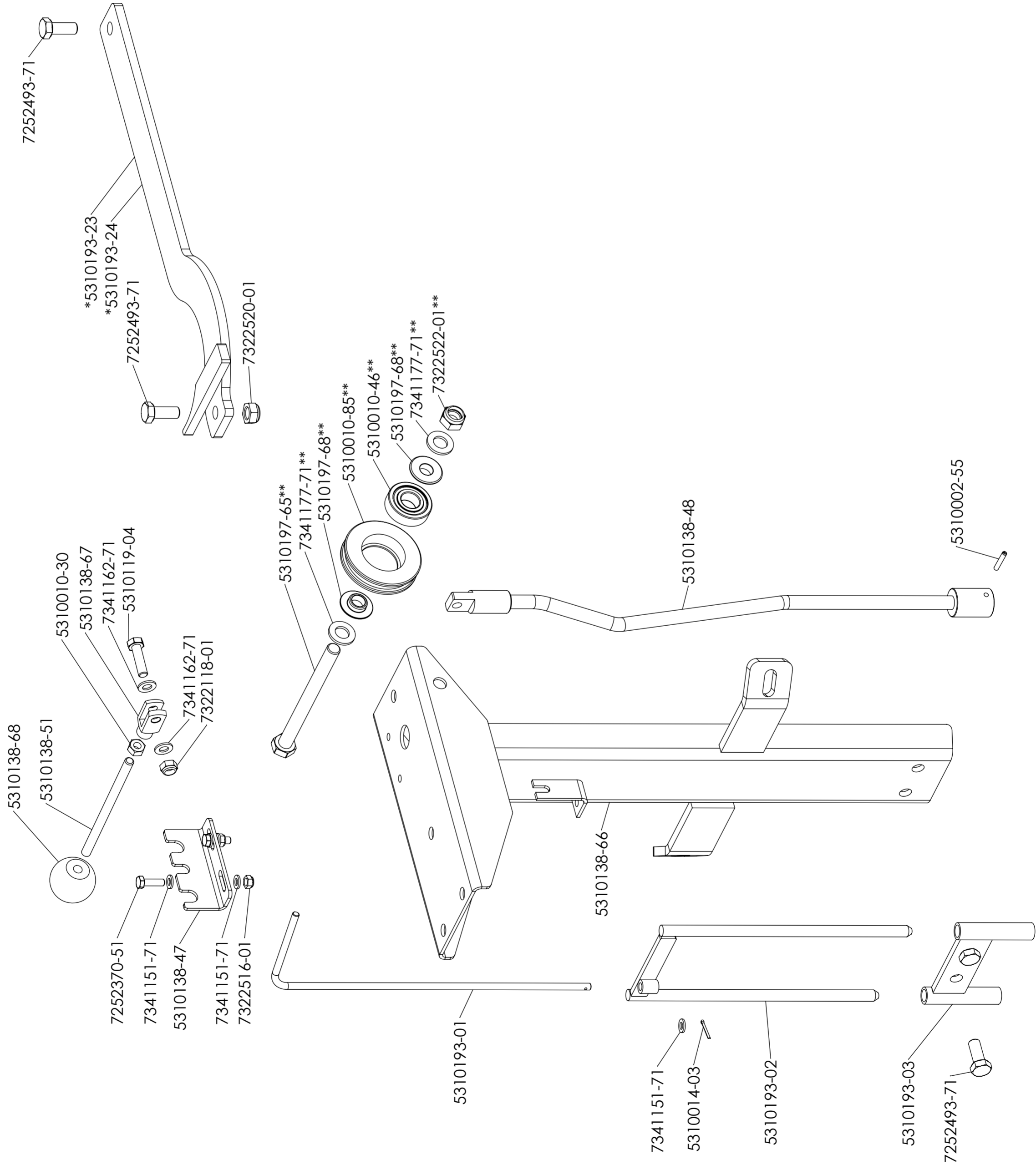


C **compl 531 01 97-64



C1

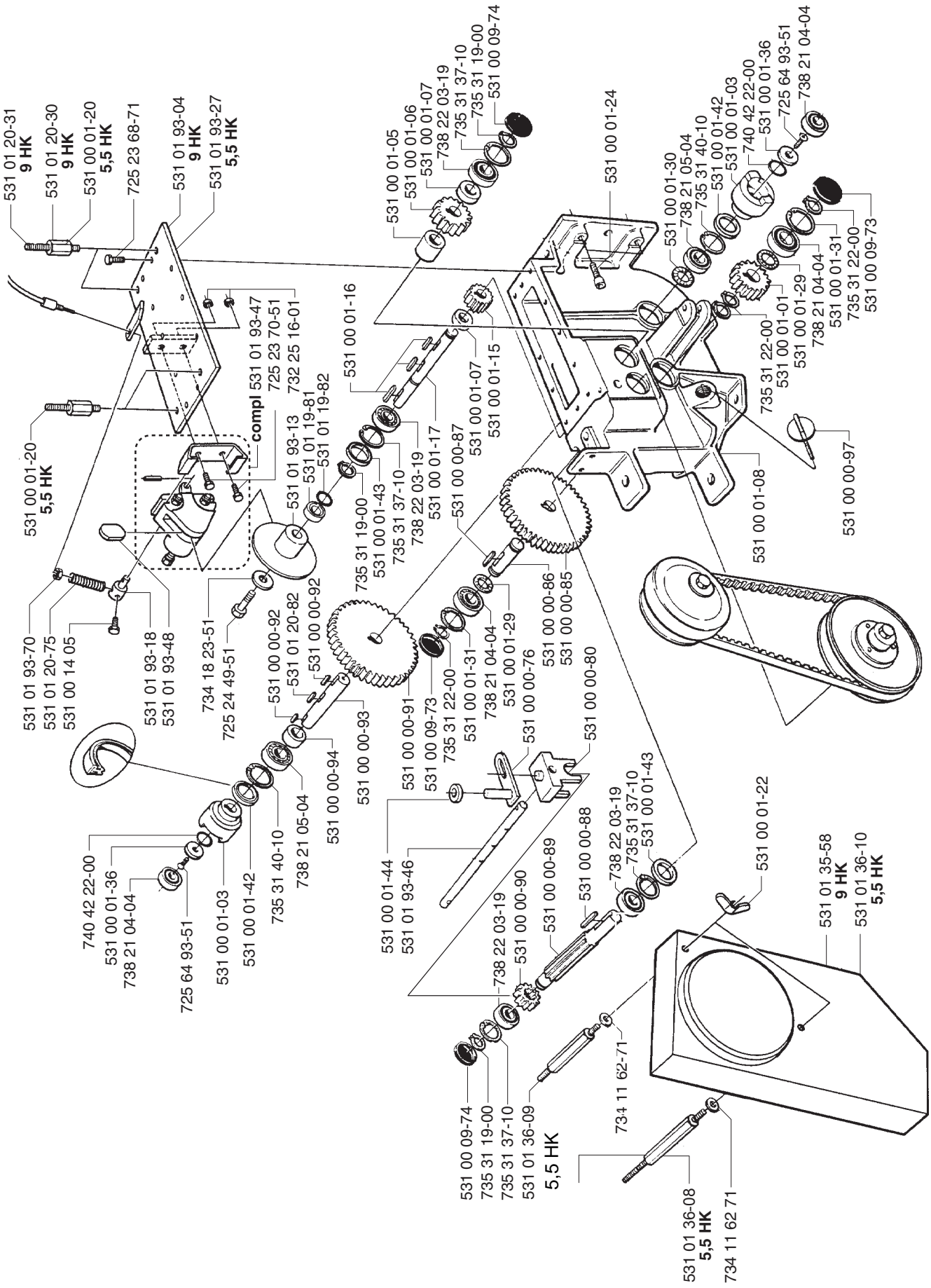
**Copl 5310197-64



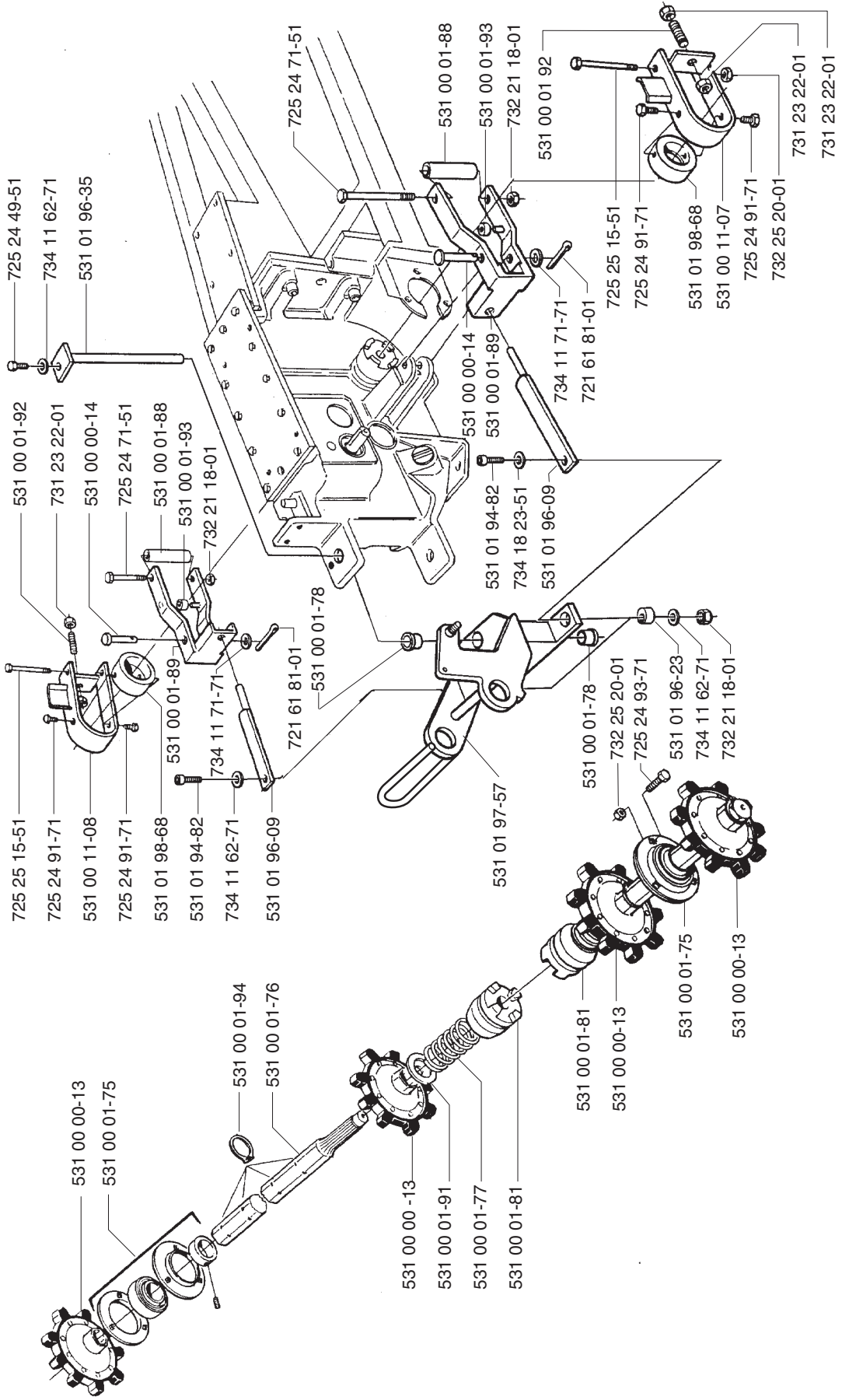
*5310193-23-9687435, 9687436, 9687445, 9687446, 9687448

*5310193-24-9687437

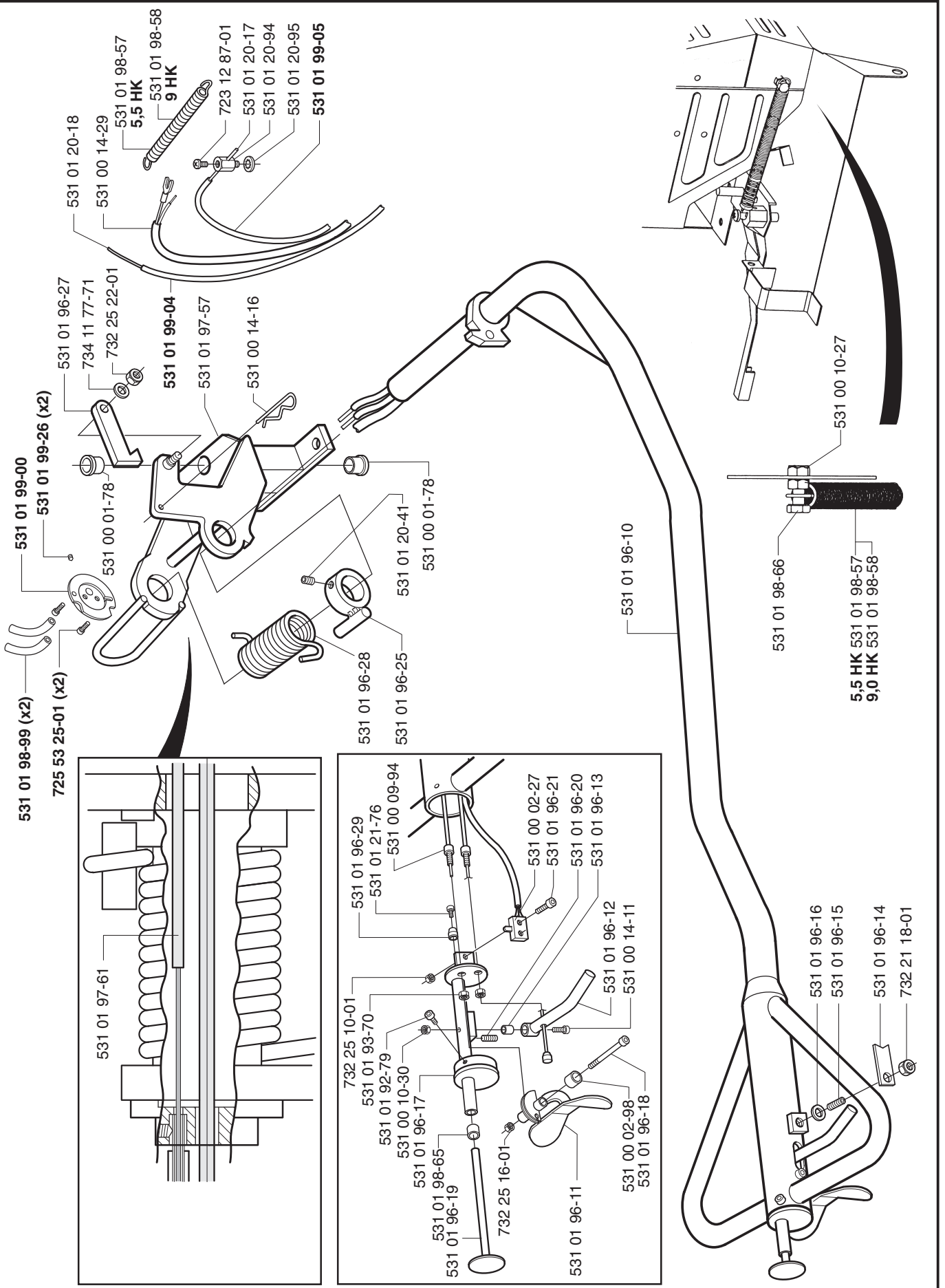
D



E

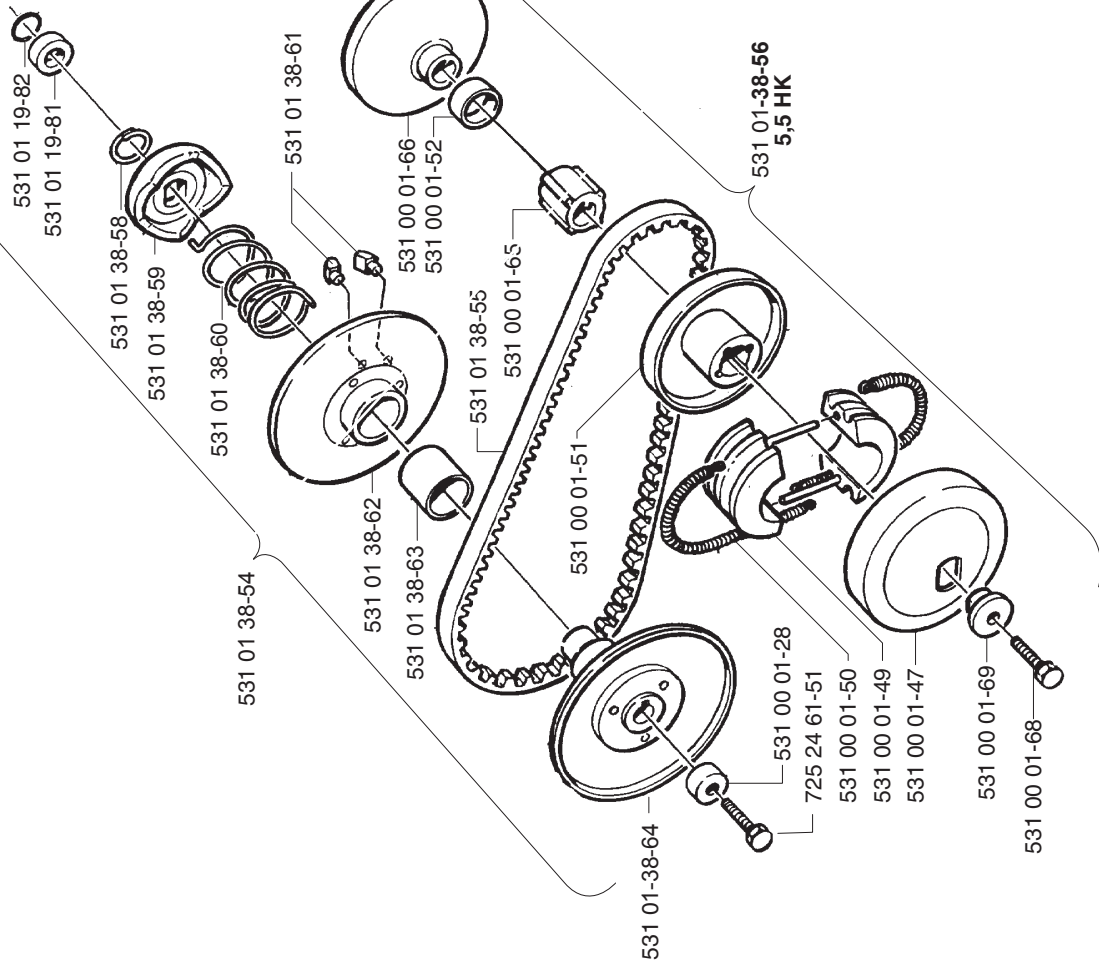


F

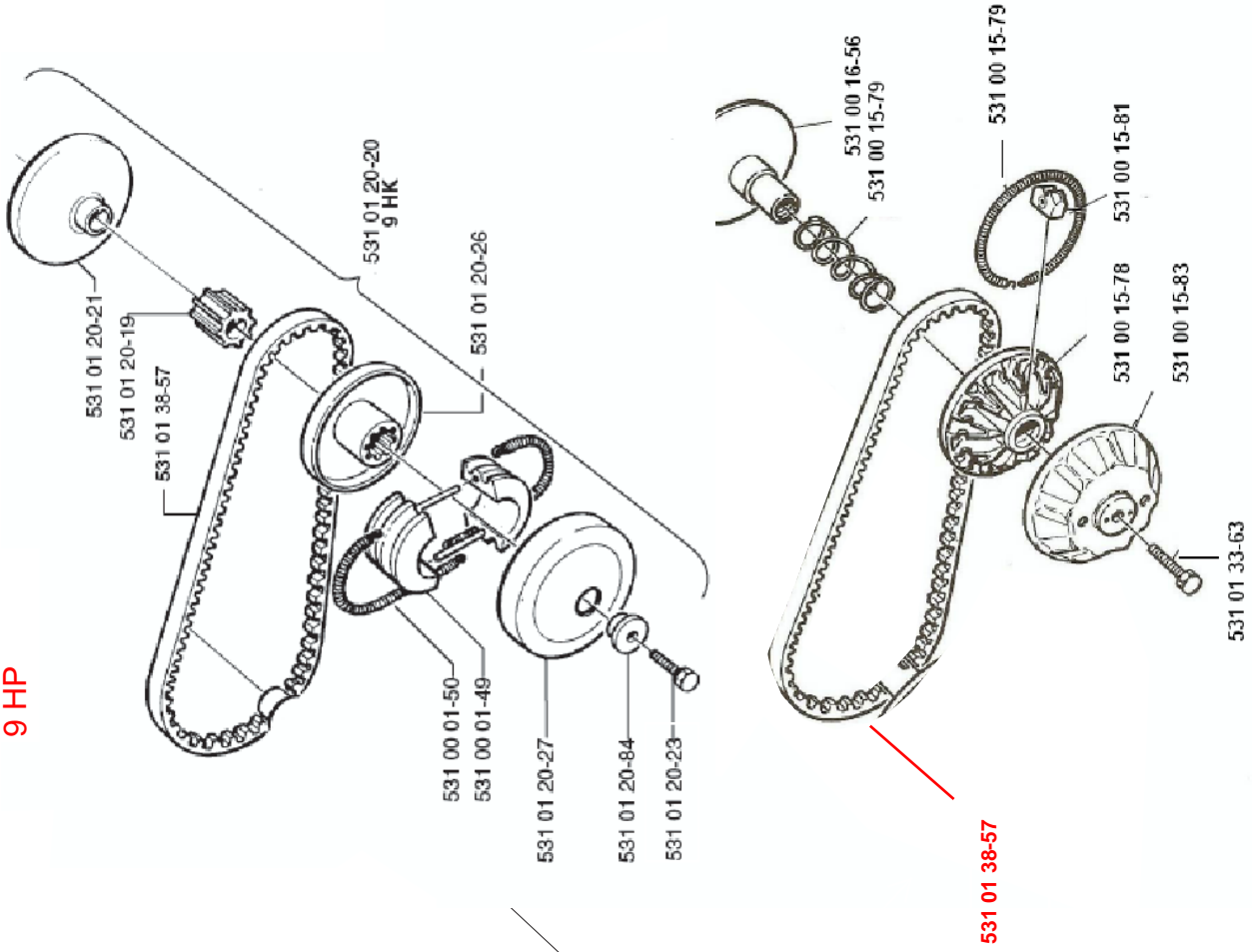


G

5 HP

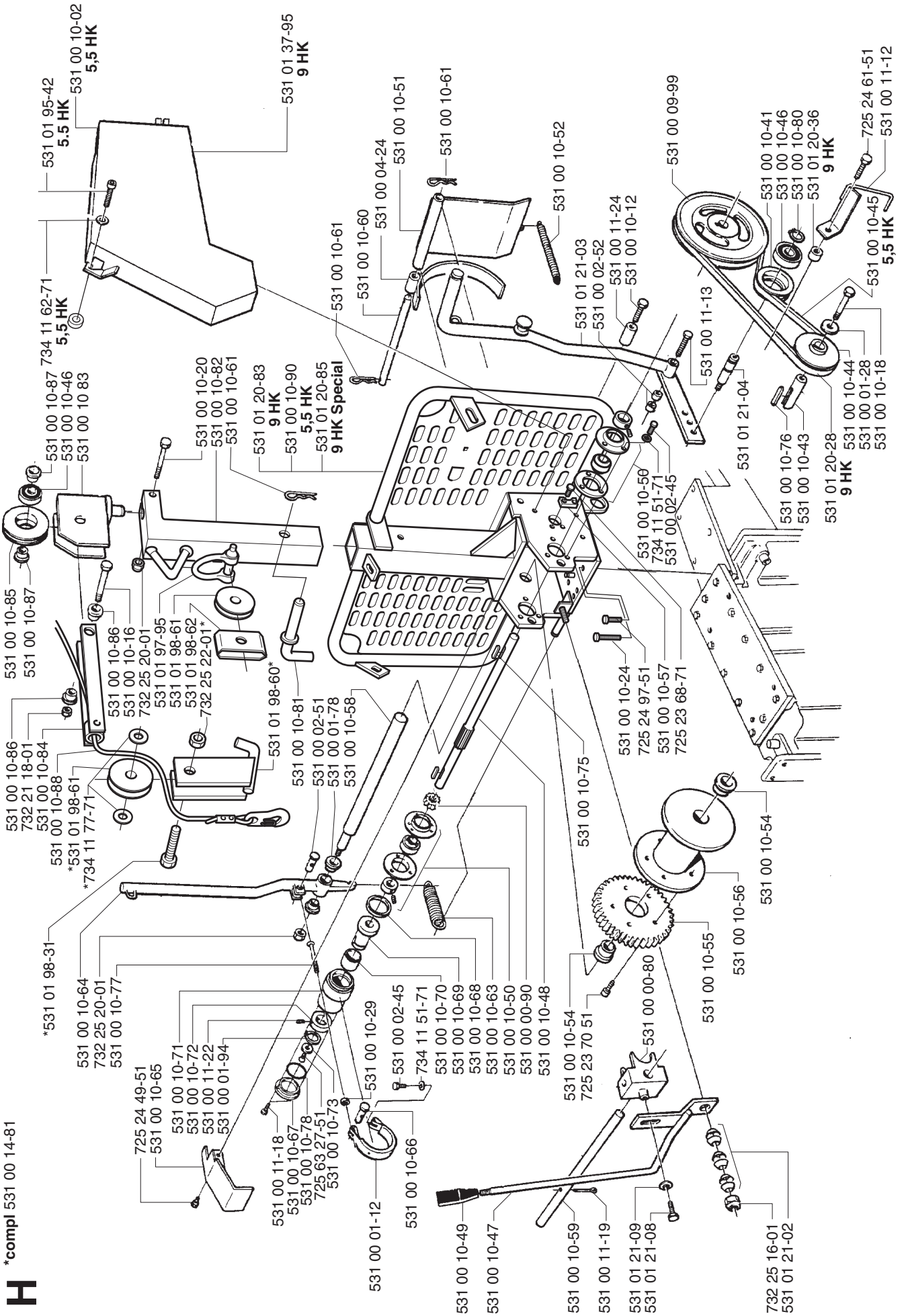


9 HP



H

*compl 531 00 14-81



| PART NUMBER | SQUARE NOTE | PART NUMBER | SQUARE NOTE | PART NUMBER | SQUARE NOTE | PART NUMBER | SQUARE NOTE |
|--------------|-------------|--------------|-------------|--------------|-------------|--------------|-------------|
| 501 39 79-03 | A | 531 00 01-91 | E | 531 00 10-73 | H | 531 01 20-83 | H |
| 501 39 94-01 | C | 531 00 01-92 | E | 531 00 10-75 | H | 531 01 20-84 | G |
| 531 00 00-01 | A | 531 00 01-93 | E | 531 00 10-76 | H | 531 01 20-85 | H |
| 531 00 00-02 | A | 531 00 01-94 | AEH | 531 00 10-77 | H | 531 01 20-94 | F |
| 531 00 00-04 | A | 531 00 01-95 | A | 531 00 10-78 | H | 531 01 20-95 | F |
| 531 00 00-05 | A | 531 00 02-27 | F | 531 00 10-80 | H | 531 01 21-02 | H |
| 531 00 00-06 | A | 531 00 02-45 | H | 531 00 10-81 | H | 531 01 21-03 | H |
| 531 00 00-13 | AE | 531 00 02-51 | H | 531 00 10-82 | H | 531 01 21-04 | H |
| 531 00 00-14 | E | 531 00 02-52 | H | 531 00 10-83 | H | 531 01 21-08 | H |
| 531 00 00-15 | A | 531 00 02-55 | C | 531 00 10-84 | H | 531 01 21-09 | H |
| 531 00 00-16 | A | 531 01 02-98 | F | 531 00 10-85 | CH | 531 01 21-23 | A |
| 531 00 00-17 | AG | 531 00 03-26 | C | 531 00 10-86 | H | 531 01 21-76 | F |
| 531 00 00-19 | A | 531 00 03-27 | C | 531 00 10-87 | H | 531 01 92-79 | F |
| 531 00 00-20 | A | 531 00 03-28 | C | 531 00 10-88 | H | 531 01 92-92 | H |
| 531 00 00-22 | A | 531 00 03-30 | C | 531 00 10-90 | H | 531 01 93-00 | A |
| 531 00 00-76 | D | 531 00 03-33 | C | 531 00 11-07 | E | 531 01 93-01 | C |
| 531 00 00-80 | DH | 531 00 03-35 | C | 531 00 11-08 | E | 531 01 93-02 | C |
| 531 00 00-82 | D | 531 00 03-36 | C | 531 00 11-12 | H | 531 01 93-03 | C |
| 531 00 00-83 | D | 531 00 03-37 | C | 531 00 11-13 | H | 531 01 93-04 | D |
| 531 00 00-84 | D | 531 00 03-38 | C | 531 00 11-18 | H | 531 01 93-13 | D |
| 531 00 00-85 | D | 531 00 03-40 | C | 531 00 11-19 | H | 531 01 93-17 | C |
| 531 00 00-86 | D | 531 00 03-42 | C | 531 00 11-22 | H | 531 01 93-18 | D |
| 531 00 00-87 | D | 531 00 03-44 | A | 531 00 11-24 | H | 531 01 93-19 | C |
| 531 00 00-88 | D | 531 00 03-45 | C | 531 00 14-03 | C | 531 01 93-20 | C |
| 531 00 00-89 | D | 531 00 03-46 | C | 531 00 14-05 | D | 531 01 93-21 | C |
| 531 00 00-90 | DH | 531 00 04-24 | H | 531 00 14-11 | F | 531 01 93-22 | C |
| 531 00 00-91 | D | 531 00 09-25 | A | 531 00 14-16 | F | 531 01 93-23 | C |
| 531 00 00-92 | D | 531 00 09-73 | D | 531 00 14-29 | F | 531 01 93-24 | C |
| 531 00 00-93 | D | 531 00 09-74 | D | 531 00 14-81 | H | 531 01 93-26 | C |
| 531 00 00-94 | D | 531 00 09-94 | F | 531 00 14-86 | A | 531 01 93-27 | D |
| 531 00 00-97 | D | 531 00 09-99 | H | 531 00 14-87 | A | 531 01 93-40 | C |
| 531 00 01-01 | D | 531 00 10-02 | H | 531 00 14-88 | A | 531 01 93-46 | D |
| 531 00 01-03 | D | 531 00 10-11 | A | 531 00 14-90 | A | 531 01 93-47 | D |
| 531 00 01-05 | D | 531 00 10-12 | H | 531 00 14-93 | A | 531 01 93-48 | D |
| 531 00 01-06 | D | 531 00 10-16 | H | 531 00 15-63 | A | 531 01 93-54 | G |
| 531 00 01-07 | D | 531 00 10-18 | H | 531 00 16-95 | G | 531 01 93-55 | G |
| 531 00 01-08 | D | 531 00 10-20 | H | 531 00 16-99 | G | 531 01 93-70 | DF |
| 531 00 01-12 | H | 531 00 10-24 | H | 531 00 17-62 | G | 531 01 94-82 | E |
| 531 00 01-15 | D | 531 00 10-27 | F | 531 00 17-63 | G | 531 01 95-04 | B |
| 531 00 01-16 | D | 531 00 10-29 | H | 531 00 17-64 | G | 531 01 95-06 | B |
| 531 00 01-17 | D | 531 00 10-30 | AF | 531 00 18-26 | C | 531 01 95-09 | D |
| 531 00 01-20 | D | 531 00 10-41 | H | 531 00 18-28 | C | 531 01 95-19 | B |
| 531 00 01-22 | D | 531 00 10-43 | H | 531 00 18-83 | C | 531 01 95-21 | B |
| 531 00 01-24 | D | 531 00 10-44 | H | 531 00 18-84 | C | 531 01 95-22 | B |
| 531 00 01-28 | GH | 531 00 10-45 | H | 531 01 19-16 | A | 531 01 95-24 | AB |
| 531 00 01-29 | D | 531 00 10-46 | CH | 531 01 19-19 | A | 531 01 95-42 | H |
| 531 00 01-30 | D | 531 00 10-47 | H | 531 01 19-22 | A | 531 01 95-84 | B |
| 531 00 01-31 | D | 531 00 10-48 | H | 531 01 19-80 | G | 531 01 95-85 | B |
| 531 00 01-36 | D | 531 00 10-49 | H | 531 01 19-81 | D | 531 01 95-90 | A |
| 531 00 01-42 | D | 531 00 10-50 | H | 531 01 19-82 | DG | 531 01 96-09 | E |
| 531 00 01-43 | D | 531 00 10-51 | H | 531 01 19-86 | C | 531 01 96-10 | F |
| 531 00 01-44 | D | 531 00 10-52 | H | 531 01 20-17 | F | 531 01 96-11 | F |
| 531 00 01-47 | G | 531 00 10-54 | H | 531 01 20-18 | F | 531 01 96-12 | F |
| 531 00 01-49 | G | 531 00 10-55 | H | 531 01 20-19 | G | 531 01 96-13 | F |
| 531 00 01-50 | G | 531 00 10-56 | H | 531 01 20-20 | G | 531 01 96-14 | F |
| 531 00 01-51 | G | 531 00 10-57 | H | 531 01 20-21 | G | 531 01 96-15 | F |
| 531 00 01-52 | G | 531 00 10-58 | H | 531 01 20-23 | G | 531 01 96-16 | F |
| 531 00 01-55 | G | 531 00 10-59 | H | 531 01 20-24 | G | 531 01 96-17 | F |
| 531 00 01-59 | G | 531 00 10-60 | H | 531 01 20-26 | G | 531 01 96-18 | F |
| 531 00 01-65 | G | 531 00 10-61 | H | 531 01 20-27 | G | 531 01 96-19 | F |
| 531 00 01-66 | G | 531 00 10-63 | H | 531 01 20-28 | H | 531 01 96-20 | F |
| 531 00 01-68 | G | 531 00 10-64 | H | 531 01 20-30 | D | 531 01 96-21 | F |
| 531 00 01-69 | G | 531 00 10-65 | H | 531 01 20-31 | D | 531 01 96-23 | E |
| 531 00 01-75 | E | 531 00 10-66 | H | 531 01 20-32 | H | 531 01 96-25 | F |
| 531 00 01-76 | E | 531 00 10-67 | H | 531 01 20-36 | H | 531 01 96-27 | F |
| 531 00 01-77 | E | 531 00 10-68 | H | 531 01 20-41 | F | 531 01 96-28 | F |
| 531 00 01-78 | EFH | 531 00 10-69 | H | 531 01 20-68 | A | 531 01 96-29 | F |
| 531 00 01-81 | E | 531 00 10-70 | H | 531 01 20-70 | G | 531 01 96-31 | A |
| 531 00 01-88 | E | 531 00 10-71 | H | 531 01 20-75 | D | 531 01 96-32 | A |
| 531 00 01-89 | E | 531 00 10-72 | H | 531 01 20-82 | D | 531 01 96-35 | E |

N = New part
 Neues teil
 Nouvelle piece
 Nueva pieza
 Ny detalj

| PART NUMBER | SQUARE NOTE | PART NUMBER | SQUARE NOTE | PART NUMBER | SQUARE NOTE | PART NUMBER | SQUARE NOTE |
|--------------|-------------|-------------|-------------|-------------|-------------|-------------|-------------|
| 531 01 96-42 | A | | | | | | |
| 531 01 96-43 | D | | | | | | |
| 531 01 97-49 | A | | | | | | |
| 531 01 97-57 | EF | | | | | | |
| 531 01 97-61 | F | | | | | | |
| 531 01 97-64 | C | | | | | | |
| 531 01 97-65 | C | | | | | | |
| 531 01 97-68 | C | | | | | | |
| 531 01 97-73 | H | | | | | | |
| 531 01 97-95 | H | | | | | | |
| 531 01 98-31 | H | | | | | | |
| 531 01 98-34 | A | | | | | | |
| 531 01 98-57 | F | | | | | | |
| 531 01 98-58 | F | | | | | | |
| 531 01 98-59 | A | | | | | | |
| 531 01 98-60 | H | | | | | | |
| 531 01 98-61 | H | | | | | | |
| 531 01 98-62 | H | | | | | | |
| 531 01 98-65 | F | | | | | | |
| 531 01 98-66 | F | | | | | | |
| 531 01 98-68 | E | | | | | | |
| 531 01 98-70 | C | | | | | | |
| 531 01 98-99 | F | N | | | | | |
| 531 01 99-00 | F | N | | | | | |
| 531 01 99-04 | F | N | | | | | |
| 531 01 99-05 | F | N | | | | | |
| 531 01 99-26 | F | N | | | | | |
| 721 61 81-01 | E | | | | | | |
| 723 12 87-01 | F | | | | | | |
| 725 23 68-71 | DH | | | | | | |
| 725 23 70 51 | DH | | | | | | |
| 725 23 76-51 | C | | | | | | |
| 725 24 49-51 | ABDEH | | | | | | |
| 725 24 61-51 | GH | | | | | | |
| 725 24 71-51 | E | | | | | | |
| 725 24 91-71 | E | | | | | | |
| 725 24 93-71 | E | | | | | | |
| 725 24 95-51 | C | | | | | | |
| 725 24 97-51 | CH | | | | | | |
| 725 24 99-51 | C | | | | | | |
| 725 25 15-51 | E | | | | | | |
| 725 53 25-01 | F | N | | | | | |
| 725 53 76-55 | C | | | | | | |
| 725 54 93-01 | C | | | | | | |
| 725 63 27-51 | H | | | | | | |
| 725 64 93-51 | ABD | | | | | | |
| 731 23 22-01 | CE | | | | | | |
| 732 21 18-01 | EFH | | | | | | |
| 732 25 10-01 | F | | | | | | |
| 732 25 16-01 | ACDFH | | | | | | |
| 732 25 20-01 | CEH | | | | | | |
| 732 25 22-01 | CFH | | | | | | |
| 734 11 51-71 | CH | | | | | | |
| 734 11 62 71 | DEH | | | | | | |
| 734 11 71-71 | EH | | | | | | |
| 734 11 77-71 | ACFH | | | | | | |
| 734 11 85-71 | A | | | | | | |
| 734 18 23-51 | DE | | | | | | |
| 735 31 19-00 | D | | | | | | |
| 735 31 22-00 | D | | | | | | |
| 735 31 37-10 | D | | | | | | |
| 735 31 40-10 | BD | | | | | | |
| 738 21 04-04 | D | | | | | | |
| 738 21 05-04 | BD | | | | | | |
| 738 21 06-04 | A | | | | | | |
| 738 22 03-19 | D | | | | | | |
| 740 42 22-00 | D | | | | | | |

N = New part
 Neues teil
 Nouvelle piece
 Nueva pieza
 Ny detalj